

PPB machine has the option of axial and radial turning. It is a portable machine tool with a wide range of job applications:

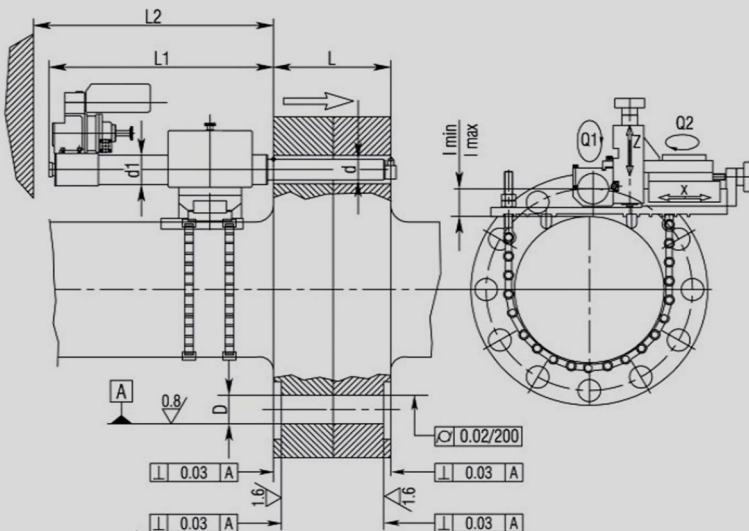
- turning holes (bores) on the couplings of steam turbines, gear boxes, generators etc.
- turning holes (bores) on the couplings of water turbines, gear boxes, generators, etc.
- turning holes (bores) at connections of the motor to the drive shaft and turning couplings of drive shafts to propeller on ships
- turning valve seats on the sealing surfaces (additional device is necessary)

After turning we recommend honing of holes (bores) to achieve exceptional precision of surface 0,002 (additional device is necessary).

The great advantage of PPB-B portable machine tool is having bearings on only one side of the coupling (flange), which is often necessary because of the lack of available space on the other side of the coupling.

TECHNICAL SPECIFICATIONS

PPB model		PPB-0.5	PPB-1.0	PPB-2.0	PPB-2.5
Turning diameter, D		ø30 - ø50 mm	ø48 - ø70 mm	ø60 - ø90 mm	ø75 - ø110 mm
Turning length, L		180 mm	260 mm	310 mm	410 mm
Pino diameter, d		ø29 mm	ø45 mm	ø54 mm	ø63 mm
Machining quality		N6	N6	N6	N6
Machining precision		0.02/150 mm	0.02/200 mm	0.02/200 mm	0.02/200 mm
Facing, D1		ø80 mm	ø100 mm	ø150 mm	ø200 mm
Space needed for machine installation	L1	390 mm	520 mm	630 mm	740 mm
	l min	50 mm	50 mm	60 mm	65 mm
	l max	175 mm	175 mm	220 mm	220 mm
	d1	ø62 mm	ø62 mm	ø78 mm	ø85 mm
	L2	440 mm	570 mm	680 mm	790 mm



PPB machine in operation